



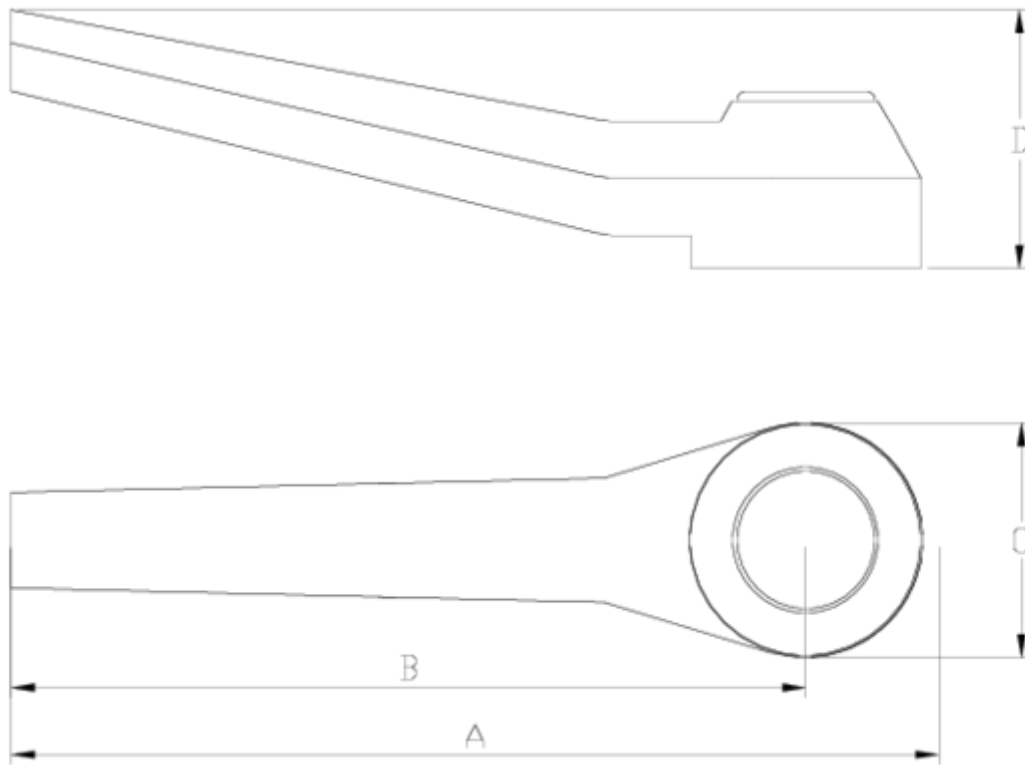
Spare parts

catch handle butterfly valve

ITEM 815

REFERENCE	DESCRIPTION	Net weight	Volumen (m ³)	contenido.peso bruto	Unidades lote
1009901	CLUTCH HANDLE 90-110	0.26	0.015532	0.76	2
1009902	CLUTCH HANDLE 125-160	0.333	0.015532	0.906	2
1009903	INOX. HANDLE FOR BUTTERFLY V. 200-225	0.833	0.031003	1.866	2





ITEM 815 | catch handle butterfly valve

CÓDIGO	f	PESO	A	B	C	D	PN	MEDIDA
09902	90-110	260	307	272	70	80	PN10	MÚTRICO
09903	125-160	375	352	317	70	90	PN10	MÚTRICO
09904	200-225	835	476	238	72	83	PN6	MÚTRICO



Product Documents



Product Certificates

Company Certificates

