



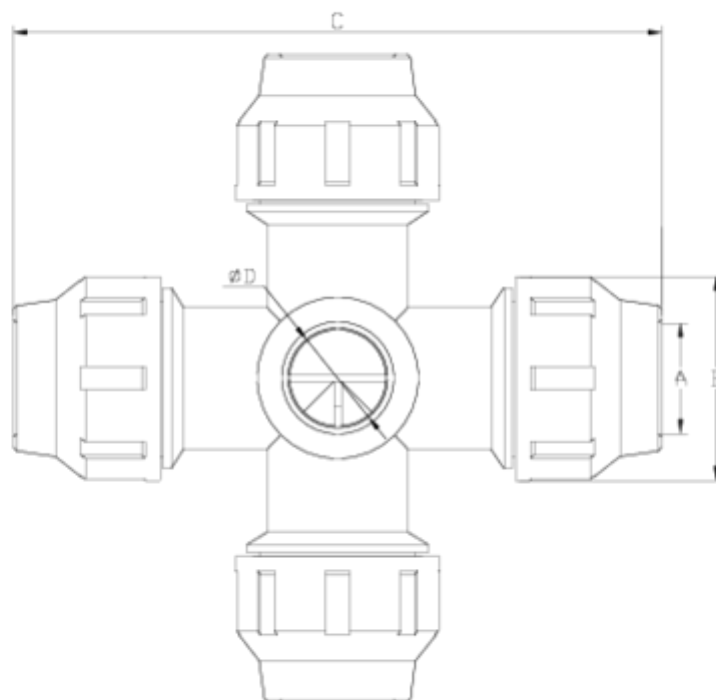
## PP compression fittings

# "AIR" 90° cross

### ITEM 553

REFERENCE	DESCRIPTION	Net weight	Volumen (m <sup>3</sup> )	contenido.peso bruto	Unidades lote
112E260	"AIR" 90° CROSS EQUAL OUTLETS 20-1/2"	0.162	0.022435	2.97	15
112E261	"AIR" 90° CROSS EQUAL OUTLETS 20-3/4"	0.165	0.022435	3.015	15
112E262	"AIR" 90° CROSS EQUAL OUTLETS 25-1/2"	0.26	0.031294	4.46	15
112E263	"AIR" 90° CROSS EQUAL OUTLETS 25-3/4"	0.26	0.031294	4.46	15
112E264	"AIR" 90° CROSS EQUAL OUTLETS 32-1/2"	0.388	0.036484	6.52	15
112E265	"AIR" 90° CROSS EQUAL OUTLETS 32-3/4"	0.392	0.036484	6.58	15





## ITEM 553 | "AIR" 90° cross

Código	f tubo - D	Peso (g)	A	B	C	PN	MEDIDA
12E260	20 - 1/2"	162	21	46	167	PN16	BSP
12E261	20 - 3/4"	165	21	46	167	PN16	BSP
12E262	25 - 1/2"	266	26	55	182	PN16	BSP
12E263	25 - 3/4"	269	26	55	182	PN16	BSP
12E264	32 - 1/2"	388	33	64	198	PN16	BSP
12E265	32 - 3/4"	392	33	64	198	PN16	BSP



## Product Documents



## Product Certificates

## Company Certificates

