

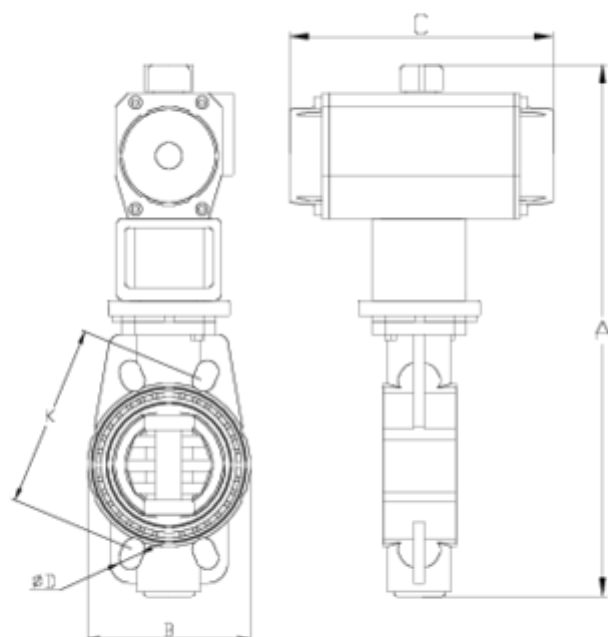


## Butterfly valves

# Implex valve pneumatic actuator d/e - EPDM seal ITEM 769



REFERENCE	DESCRIPTION	Net weight	Volumen (m <sup>3</sup> )	contenido.peso bruto	Unidades lote
1009119	DOUBLE EFFECT PNEUMATIC VALVE 63	4.493	0.01553	4.819	1
1009120	DOUBLE EFFECT PNEUMATIC VALVE 75	4.357	0.02243	4.85	1
1009179	DOUBLE EFFECT PNEUMATIC VALVE 90	4.8323	0.022435	5.32	1
1009180	DOUBLE EFFECT PNEUMATIC VALVE 110	5.1473	0.03648	5.7413	1
1009181	DOUBLE EFFECT PNEUMATIC VALVE 125	5.2921	0.044603	6.022	1
1009182	DOUBLE EFFECT PNEUMATIC VALVE 140	8.069	0.036484	8.663	1
1009183	DOUBLE EFFECT PNEUMATIC VALVE 160	7.6145	0.061499	8.535	1
1009126	DOUBLE EFFECT PNEUMATIC VALVE 200/225	11.5995	0.061499	12.52	1
1009127	DOUBLE EFFECT PNEUMATIC VALVE 250	19.582	0.086775	21.622	1
1009128	DOUBLE EFFECT PNEUMATIC VALVE 315	31.79	0.068794	32.51	1
1009269	DOUBLE EFFECT PNEUMATIC VALVE 355	64.5	0.36961	67.98	1
1009129	DOUBLE EFFECT PNEUMATIC VALVE 400	77.2	0.36961	80.68	1



## ITEM 769 | Implex valve pneumatic actuator d/e - EPDM seal

CÓDIGO	f	PESO	A	B	C	D	K	PN	MEDIDA
09119	63	4295	376	136	210	18x4	125-145	PN10	MÉTRICO
09120	75	4295	376	136	210	18x4	125-145	PN10	MÉTRICO
09179	90	5186	400	130	210	18x8	146-160	PN10	MÉTRICO
09180	110	5504	420	152	210	18x8	178-190	PN10	MÉTRICO
09181	125	5932	431	170	210	18x8	190	PN10	MÉTRICO
09182	140	7636	500	187	228	18x8	210-216	PN10	MÉTRICO
09183	160	8758	522	214	228	22x8	235-241	PN10	MÉTRICO
09126	200/225	14820	596	270	290	22x8	292-298	PN6	MÉTRICO
09127	250	19182	596	321	310	22x12	350-362	PN6	MÉTRICO
09128	315	31500	770	370	310	22x12	400-432	PN6	MÉTRICO



## ITEM 769 | Implex valve pneumatic actuator d/e - EPDM seal

09129

400

54200

925

580

422

26x16

515

PN6

MÉTRICO



Pol. Ind. Plá Vallonga,  
c/ Agua, 28  
03006 ALICANTE (España)



+34 965 11 42 82



+34 965 11 48 62



tecnicocomercial@hidroten.es



Technical &  
Commercial Service  
+ 34 966 105 888



[www.hidroten.es](http://www.hidroten.es)



## Product Documents



## Product Certificates



## Company Certificates

