

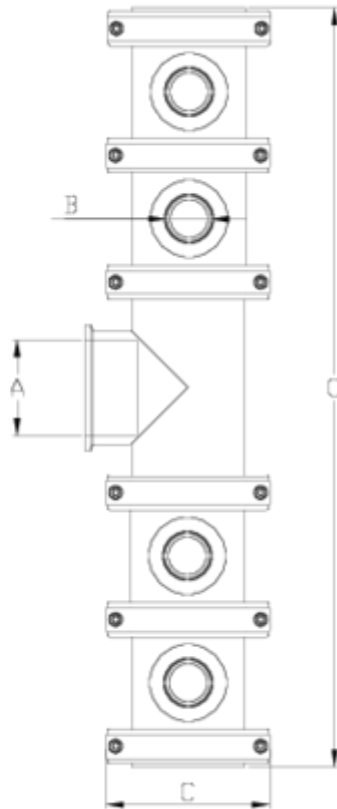


Netvitc System?? hydrants

Single central piping Hydrant - Netvitc System connection ITEM 615



REFERENCE	DESCRIPTION	Net weight	Volumen (m ³)	Gross weight	Unidades lote
11NH107	NET. SYS.SIMPLE EXTINGUISHER CENTRAL INPUT 90-2"	4.617	0	4.617	1
11NH108	NET. SYS.SIMPLE EXTINGUISHER CENTRAL INPUT 110-1"	8.816	0	8.816	1
11NH109	NET. SYS.SIM.EXTINGUISHER CENTRAL INPUT 110-1 1/4"	8.936	0	8.936	1
11NH110	NET. SYS.SIM.EXTINGUISHER CENTRAL INPUT 110-1 1/2"	9.194	0	9.194	1
11NH111	NET. SYS.SIM.EXTINGUISHER CENTRAL INPUT 110-2"	7.276	0	7.276	1



ITEM 615 | Single central piping Hydrant - Netvitec System connection

Código	ENTRADA - A	SALIDA - B	SALIDAS	Peso (g)	C	L	PN	TIPO ROSCA
1NH107	90	2"	3	4617	164	702	PN10	BSP
1NH108	110	1"	6	8476	188	1177	PN10	BSP
1NH109	110	1 1/4"	6	8596	188	1177	PN10	BSP
1NH110	110	1 1/2"	6	8854	188	1177	PN10	BSP
1NH111	110	2"	4	6980	188	874	PN10	BSP



Product Documents



Product Certificates

Company Certificates

