

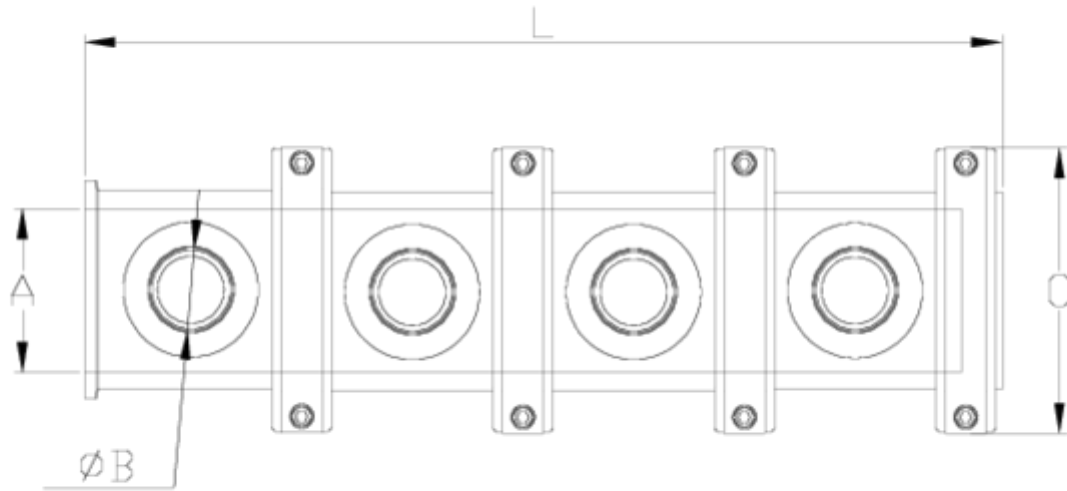


Netvitc System?? hydrants

Single lateral piping Hydrant - Netvitc System connection ITEM 613



REFERENCE	DESCRIPTION	Net weight	Volumen (m ³)	Gross weight	Unidades lote
11NH007	NET. SYS. SIMPLE EXTINGUISHER SIDE INPUT 90-2"	2.925	0	2.945	1
11NH008	NET. SYS. SIMPLE EXTINGUISHER SIDE INPUT 110-1"	6.494	0	6.494	1
11NH009	NET. SYS. SIMP.EXTINGUISHER SIDE INPUT 110-1 1/4"	6.614	0	6.614	1
11NH010	NET. SYS. SIMP.EXTINGUISHER SIDE INPUT 110-1 1/2"	6.872	0	6.872	1
11NH011	NET. SYS. SIMPLE EXTINGUISHER SIDE INPUT 110-2"	4.886	0	4.886	1

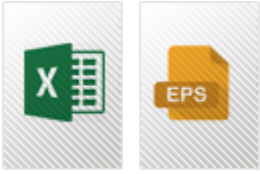


ITEM 613 | Single lateral piping Hydrant - Netvitc System connection

Código	ENTRADA - A	SALIDA - B	SALIDAS	Peso (g)	C	L	PN	TIPO ROSCA
1NH007	90	2"	3	2945	164	463	PN10	BSP
1NH008	110	1"	6	6158	188	901	PN10	BSP
1NH009	110	1 1/4"	6	6278	188	901	PN10	BSP
1NH010	110	1 1/2"	6	6536	188	901	PN10	BSP
1NH011	110	2"	4	4662	188	901	PN10	BSP



Product Documents



Product Certificates

Company Certificates

