

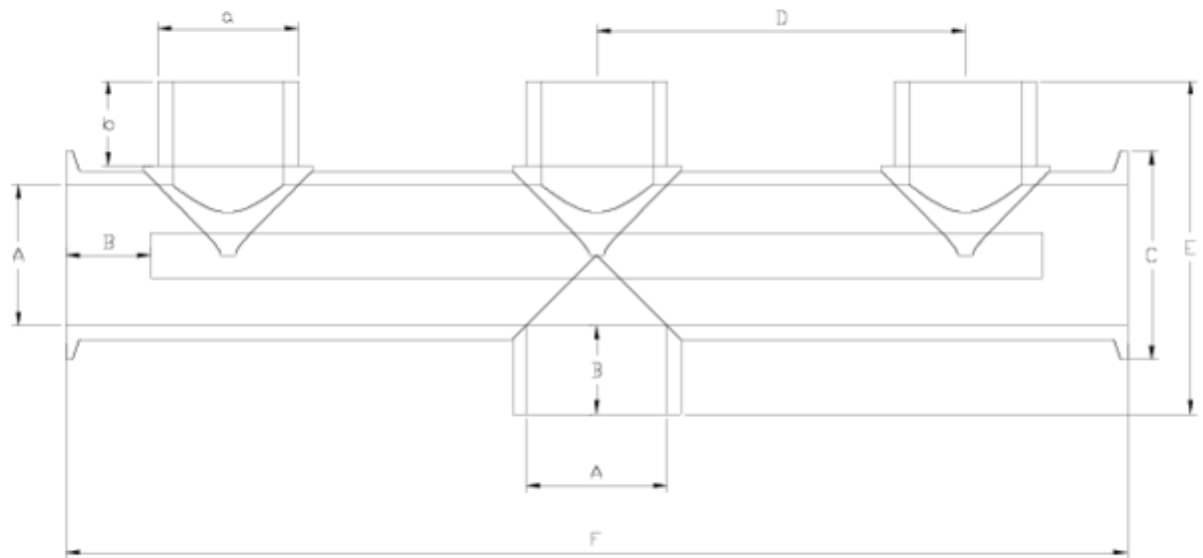


Netvitc System pressure fittings

COLECTOR 3 VÍAS NET SYST-NET SYST ITEM 839

REFERENCE	DESCRIPTION	Net weight	Volumen (m ³)	Gross weight	Unidades lote
101N892	3-WAY MANIFOLD SNS-SNS 50	0.677	0.02243	3.13	4
101N893	3-WAY MANIFOLD SNS-SNS 50-63	0.725	0.02243	3.33	4
101N894	3-WAY MANIFOLD SNS-SNS 63	1.1731	0.044603	5.3582	4



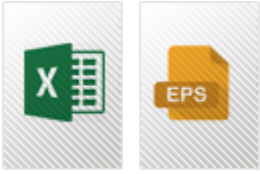


ITEM 839 | COLECTOR 3 VÍAS NET SYST-NET SYST

Código	a-A	Peso (g)	b	B	C	D	E	F	PN	MEDIDA
1N892	50	677	26	34	61	131	123	393	PN10	MÉTRICO
1N893	50-63	725	26	38*	61	131	128	393	PN10	MÉTRICO
1N894	63	1143	26	38	75	165	151	460	PN10	MÉTRICO



Product Documents



Product Certificates

Company Certificates

