

NETWELL  
SISTEMAS DE TUBERÍA

# Hidroten®

Sistemas y Tecnología del agua / Water System Technology

New

ÚNICO en el mercado <sup>um</sup>

## Increasing tee



[www.hidroten.es](http://www.hidroten.es)  
[export@hidroten.es](mailto:export@hidroten.es)  
[tecnico@hidroten.es](mailto:tecnico@hidroten.es)

050-32-32  
▶ GFPP

PP COMPRESSION FITTINGS



From Ø20 to Ø63 PE 40 PN 10  
From Ø20 to Ø32 PE 100 PN 16



Hidroten incorporates in its range of compression fittings a new element unique in the market, the **increasing tee**, which will allow us to make derivation and reduction in two branches with a single element, saving costs by avoiding the use of reducing coupling.

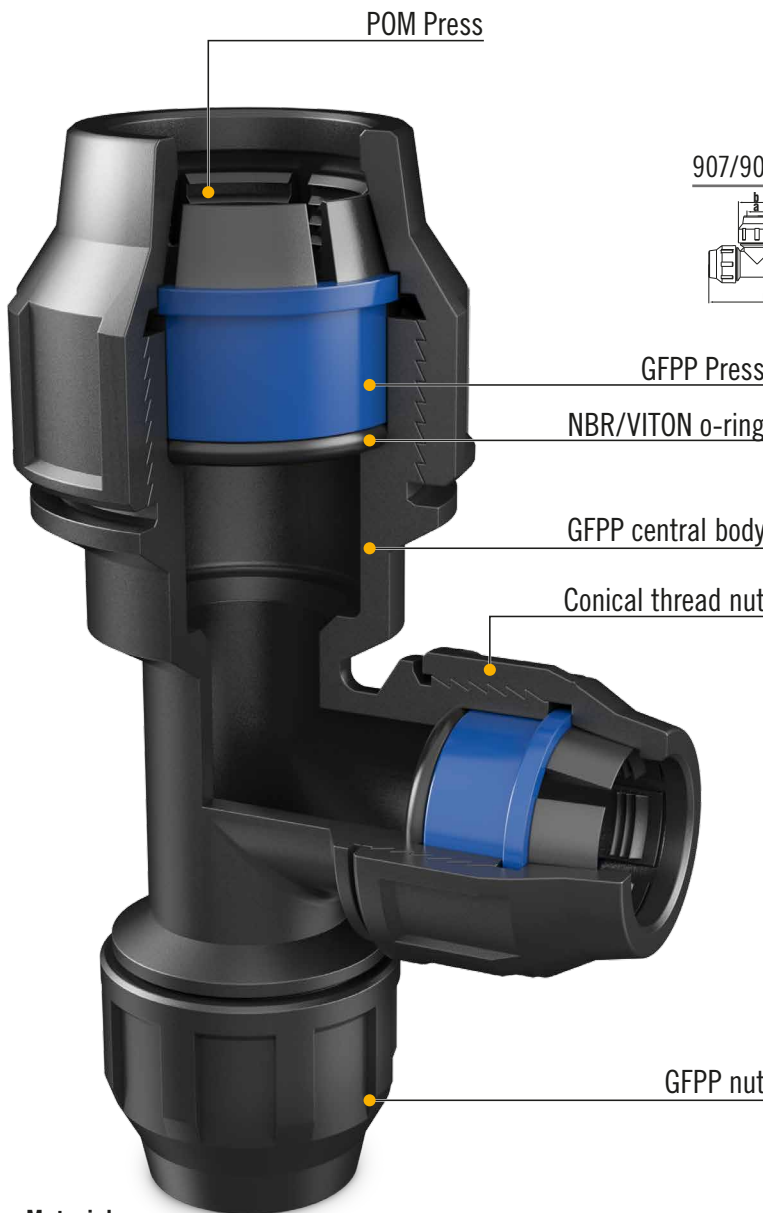


■ Hidroten incorporates in its range of compression fittings a new element unique in the market, the **increasing tee**, which will allow us to **make derivation and reduction in two branches** with a single element, saving costs by avoiding the use of reducing coupling.

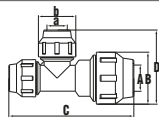
Hidroten's exclusive fitting system allows a **quick assembly** with maximum guarantees.



■ Derivation and reduction in a unique fitting. ■ Made in GFPP. ■ Labour savings. ■ PN 16.



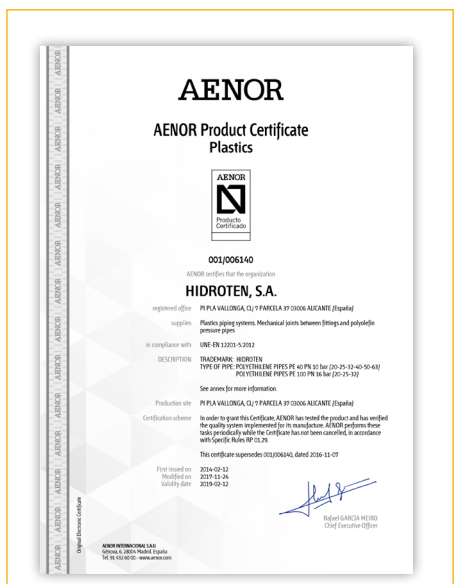
907/908



CODE	CODE	β A-a	WT (g.)	A	a	B	b	C	D
12331	12E331	50-32-32	465	51	33	91	64	223	142



Increasing tee



Our fittings are constantly tested in our installations and laboratory partners according to the following standards:  
 UNE-EN 714: waterproofness test using inward hydraulic pressure with no axial force.  
 UNE-EN 911: waterproofness test using outward hydrostatic pressure.  
 UNE-713: Determination of the waterproofness while inward pressure is subjected to a curvature.  
 UNE-EN-712: tearing resistance test.

**Materials**

- GFPP (Glass-reinforced polypropylene)
- VITON (Fluorinated rubbers)
- NBR (Nitrile rubber)
- POM (Polyacetal)

