



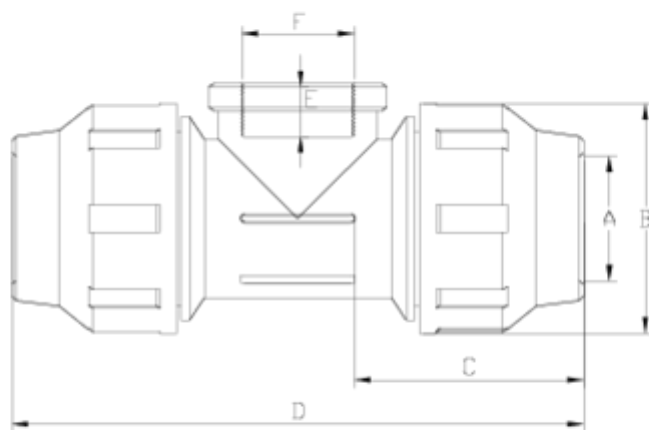
PP Compression Fittings

Te salida R/Hembra

ITEM 487

REFERENCIA	DESCRIPCION	Peso líquido	Volumen (m ³)	contenido.peso bruto	Unidades por lote
112E057	TEE, FEMALE THREAD 20 x 1/2"	0.095	0.03129	9.01	90
112E058	TEE, FEMALE THREAD 25 x 3/4"	0.148	0.04717	11.12	70
112E059	TEE, FEMALE THREAD 32 x 1"	0.217	0.04460	11.46	50
112E060	TEE, FEMALE THREAD 40 x 1 1/4"	0.380	0.04880	13.68	34
112E061	TEE, FEMALE THREAD 50 x 1 1/2"	0.601	0.04460	12.85	20
112E062	TEE, FEMALE THREAD 63 x 2"	1.069	0.04836	13.67	12
112E063	TEE, FEMALE THREAD 50 x 2"	0.000	0.04460	0.00	16
112E149	TEE, FEMALE THREAD 20 x 3/4"	0.085	0.03129	8.21	90
112E150	TEE, FEMALE THREAD 25 x 1/2"	0.152	0.04717	11.40	70
112E151	TEE, FEMALE THREAD 32 x 1/2"	0.217	0.04460	10.68	50
112E152	TEE, FEMALE THREAD 32 x 3/4"	0.240	0.04460	12.83	50





ITEM 487 | Te salida R/Hembra

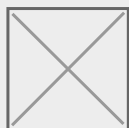
Código	f tubo - F	Peso (g)	A	B	C	D	E	PN	TIPO ROSCA
12E057	20 - 1/2"	96	21	46	58	137	17	PN16	BSP
12E149	20 - 3/4"	95	21	46	58	137	19	PN16	BSP
12E150	25 - 1/2"	154	26	55	66	156	17	PN16	BSP
12E058	25 - 3/4"	149	26	55	66	156	20	PN16	BSP
12E151	32 - 1/2"	227	33	64	71	170	17	PN16	BSP
12E152	32 - 3/4"	223	33	64	71	170	21	PN16	BSP
12E059	32 - 1"	220	33	64	71	170	23	PN16	BSP
12E060	40 - 1 1/4"	350	42	76	84	208	25	PN16	BSP
12E061	50 - 1 1/2"	564	51	91	93	235	25	PN16	BSP
12E063	50 - 2"	612	51	91	93	235	29	PN16	BSP





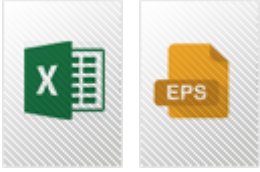
ITEM 487 | Te salida R/Hembra

12E062	63 - 2"	952	64	109	113	274	29	PN16	BSP
12E124	75 - 2 1/2"	1721	77	133	132	344	33	PN10	BSP
12E125	90 - 3"	2790	92	159	162	416	41	PN10	BSP
12E126	110 - 4"	4070	112	183	167	465	45	PN10	BSP





Documenta????o do Produto



Certificados do Produto

Certificados da Empresa

